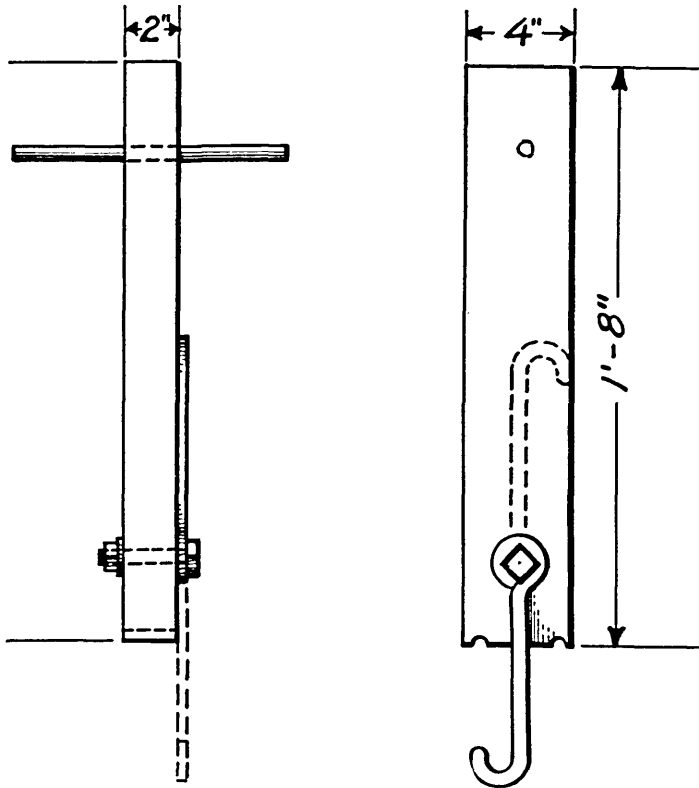


Tool for Changing Cup

HARRY PRYKE, *Greenkeeper, Calgary Golf and Country Club, Calgary, Alberta*

The accompanying diagrams represent a simple three-in-one tool, easily made, which we have found much better for changing cups than the carrying around of a hammer, piece of pick handle, and hook separately.

The tool is a piece of 2" by 4", 1' 8" long, with a part of an old sledge hammer shaft thrust through one end and a hook bolted near the other end



in such manner that it can be lowered for thrusting into the hole to lift the cup and folded back onto the block of wood when not in use for such purpose. The edges of the block at the hook end are chamfered so as to engage the rim of the cup when pressing it into the new hole. When the hook is folded back the block may be used for tamping the earth back into the hole.

SUBCOMMITTEES OF THE UNITED STATES GOLF ASSOCIATION,
 APPOINTED BY THE EXECUTIVE COMMITTEE FEBRUARY 9, 1923

RULES OF GOLF COMMITTEE—Howard F. Whitney, Chairman, No. 15 Broad St., New York City; James Francis Burke, Findlay S. Douglas, Robert A. Gardner, Cornelius S. Lee, Charles O. Pfeil, Wynant D. Vanderpool, George

H. Walker, Frederick S. Wheeler, M. Lewis Crosby, J. Frederic Byers, Alan D. Wilson.

CHAMPIONSHIP COMMITTEE—Robert A. Gardner, Chairman, The Rookery, Chicago, Ill.; Edward S. Moore, Thomas B. Paine, Charles O. Pfeil, Henry H. Wilder, Alan D. Wilson.

MEMBERSHIP AND REINSTATEMENT COMMITTEE—Cornelius S. Lee, Chairman, 55 John St., New York City; Robert A. Gardner, Edward S. Moore, Wynant D. Vanderpool.

AMATEUR STATUS AND CONDUCT COMMITTEE—Cornelius S. Lee, Chairman, 55 John St., New York City; Robert A. Gardner, Thomas B. Paine, Wynant D. Vanderpool, Henry H. Wilder.

COMMITTEE ON SECTIONAL AFFAIRS—Thomas B. Paine, Chairman, Trust Company of Georgia Building, Atlanta, Ga.; Findlay S. Douglas, Herbert Jacques, Roger D. Lapham, John R. Lemist, Charles O. Pfeil.

SELECTION OF COURSES COMMITTEE—Robert A. Gardner, Chairman, The Rookery, Chicago, Ill.; Findlay S. Douglas, William C. Fownes, Jr.

IMPLEMENTS AND THE BALL COMMITTEE—Wynant D. Vanderpool, Chairman, 766 Broad St., Newark, N. J.; Robert A. Gardner, Cornelius S. Lee, James D. Standish, Jr., Henry H. Wilder, Alan D. Wilson.

ELIGIBILITY LIST COMMITTEE—James D. Standish, Jr., Chairman, Ford Building, Detroit, Mich.; Cornelius S. Lee, Wynant D. Vanderpool.

GREEN SECTION COMMITTEE—Alan D. Wilson, Chairman, 321 Walnut St., Philadelphia, Pa.; Lyman Carrier, Dr. Walter S. Harban, E. J. Marshall, Dr. R. A. Oakley, C. V. Piper, Wynant D. Vanderpool.

INTERNATIONAL MATCHES AND RELATIONS COMMITTEE, WALKER CUP—Howard F. Whitney, Chairman, 15 Broad St., New York City; Robert A. Gardner, Cornelius S. Lee, Paul Moore, Morgan J. O'Brien, Jr., Wynant D. Vanderpool, George H. Walker.

INTERCOLLEGIATE COMMITTEE—James C. Ward, Chairman, Williams College, Williamstown, Mass.; Jess Sweetser, Robert T. Jones, Jr., Rudolph E. Knepper.

PUBLICITY COMMITTEE—Cornelius S. Lee, Chairman, 55 John St., New York City; James Francis Burke, Arthur Russell Jones, Grantland Rice, Edward S. Moore.

FINANCE COMMITTEE—Edward S. Moore, Chairman, 14 Wall St., New York City; Mortimer N. Buckner, Cornelius S. Lee.

PUBLIC AND MUNICIPAL GOLF COURSES COMMITTEE—James D. Standish, Jr., Chairman, Ford Building, Detroit, Mich.; S. P. Jermain, Toledo; A. T. Packard, Chicago; Roger D. Lapham, San Francisco; Bonner Miller, St. Louis; Robert W. McKinley, Chicago; George Kreidler, Newark; O. B. Keeler, Atlanta; Malcolm McGregor, Detroit; D. McSheehy, Worcester; C. M. H. Atherton, New York; Henry L. West, Washington; J. J. Burke, Pittsburgh; E. D. Mendell, Philadelphia.

The Green Committee is always glad to publish in The Bulletin items of interest from greenkeepers in connection with their work on golf courses.

Commercial concerns frequently refer to the Green Section in their advertisements. There is no objection to this provided the reference is not worded so as to imply that the Green Section sponsors or endorses the product or service which is offered for sale. The Secretary of the Green Committee endeavors to keep on file an up-to-date list of firms and individuals who have the things to sell which are needed in the making or upkeep of golf turf. These addresses are given out on request, as a matter of convenience to the buyer. It should be clearly understood, however, that the Green Committee does not endorse or recommend anyone's service or any firm's product, and will not be a party in any controversy which may arise between buyer and seller. It is only by a strict adherence to this policy that the Green Section can be of most service to its constituents.